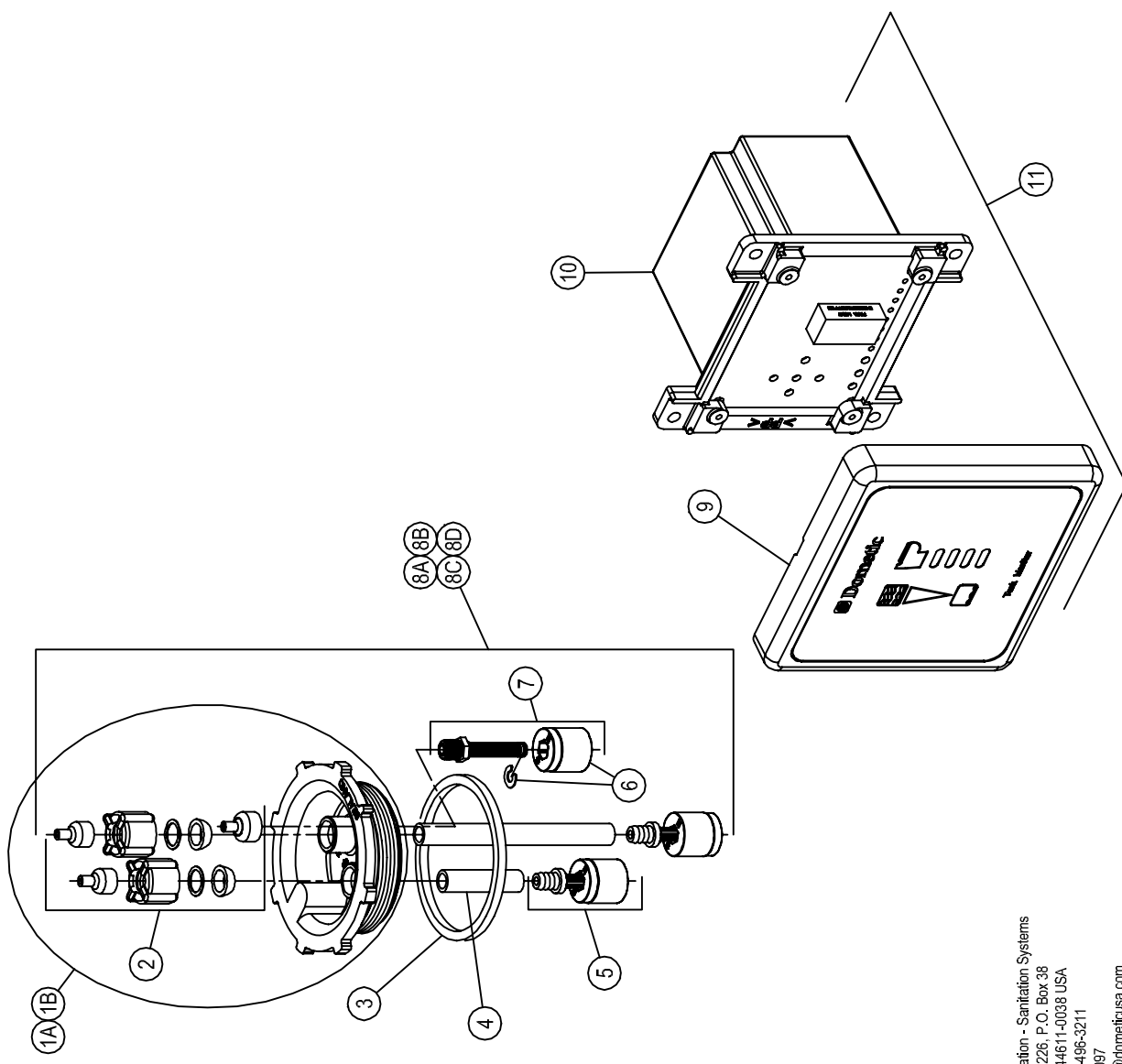


PARTS LIST: DTM04; DMT08; DTM12 MODELS

ITEM	PART NUMBER & DESCRIPTION
1A	385311765 TW CAP ASSEMBLY w/VENT
1B	385311766 TW CAP ASSEMBLY w/o VENT
2	385310258 COMPRESSION NUT KIT
3	385311250 TW CAP O'RING REPLACEMENT
4	385230930 22" FLEX PROBE KIT
5	385310758 BARBED STEM/FLOAT REPLACEMENT
6	385311103 TANK LEVEL FLOAT & LOCK RING
7	385230268 THREADED STEM/FLOAT REPLACEMENT
8A	3130000350 TW CAP COMPLETE w/VENT
8B	3130000355 TW CAP COMPLETE w/o VENT
8C	3130000345 TW CAP COMPLETE w/VENT 45" PROBES
8D	3130000346 TW CAP COMPLETE w/o VENT 45" PROBES
9	385311477 PANEL COVER DTM04 - BLACK
	385311478 PANEL COVER DTM04 - WHITE
	385311479 PANEL COVER DTM08 - BLACK
	385311480 PANEL COVER DTM08 - WHITE
10	385311481 PANEL COVER DTM12 - BLACK
	385311482 PANEL COVER DTM12 - WHITE
	385311483 CIRCUIT BOARD PANEL - DTM04
11	385311484 CIRCUIT BOARD PANEL - DTM08
	385311485 CIRCUIT BOARD PANEL - DTM12
	313604401 DTM04 PANEL ONLY - BLACK
NOT SHOWN	313604411 DTM04 PANEL ONLY - WHITE
	313608401 DTM08 PANEL ONLY - BLACK
	313608411 DTM08 PANEL ONLY - WHITE
	313612401 DTM12 PANEL ONLY - BLACK
	313612411 DTM12 PANEL ONLY - WHITE
	385311579 12VDC SHUTDOWN RELAY KIT (DTM04 ONLY)
	385311580 24VDC SHUTDOWN RELAY KIT (DTM04 ONLY)



Dometic Corporation - Sanitation Systems
 13128 State Rt. 226, P.O. Box 38
 Big Prairie, OH 44611-0038 USA
 Telephone: 330-496-3211
 Fax: 330-496-3097
 Email: sealand@dometicus.com