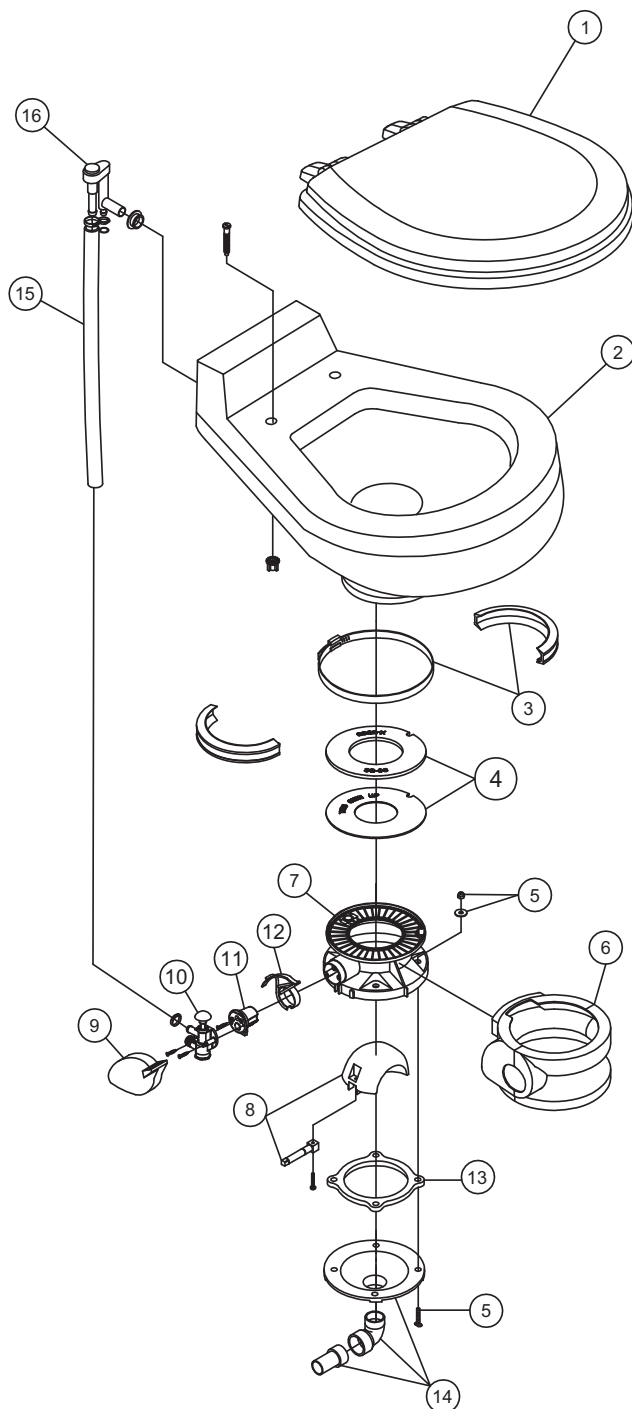


PARTS LIST: 806

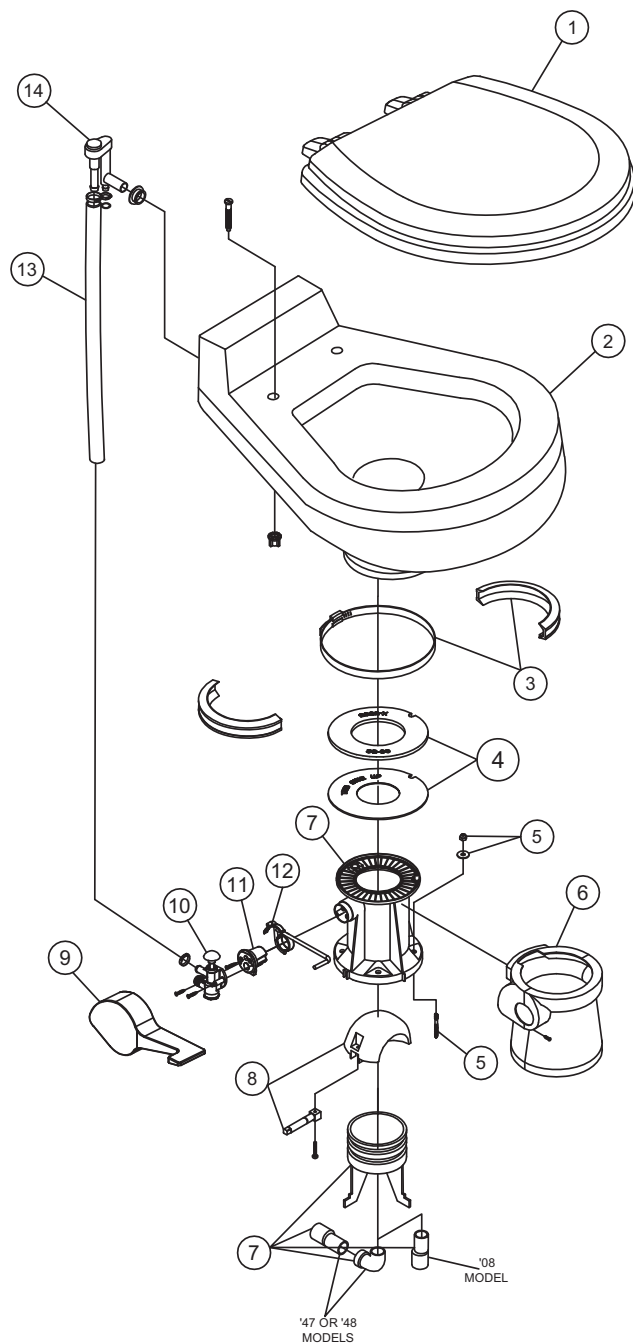


ITEM	PART NO.	DESCRIPTION
1	385344436	SEAT ASSEMBLY, WHITE
	385344437	SEAT ASSEMBLY, BONE
2	385310032	CHINA BOWL KIT, WHITE
	385310033	CHINA BOWL KIT, BONE
3	385310048	BAND & HALF CLAMP KIT - BONE
	385310025	BAND & HALF CLAMP KIT - WHITE
4	385311462	KIT, BASE SEAL/2 SEALS
5	385310064	MOUNTING HARDWARE
6	385310108	PEDESTAL COVER KIT - WHITE
	385310109	PEDESTAL COVER KIT - BONE
7	385310132	BASE KIT- WHITE (inc items 3-14)
	385310133	BASE KIT- BONE (inc items 3-14)
8	385318162	KIT,BALL,SHAFT & CART-(inc. item 11)
9	385310117	PEDAL COVER - WHITE
	385310118	PEDAL COVER - BONE
10	385314349	WATER VALVE - KIT
11	385236096	SPRING CARTRIDGE - KIT
12	385310579	PEDAL, CARTRIDGE, KIT (inc. item 11)
13	385310063	FLOOR FLANGE, (inc item 5)
14	385318864	KIT, FUNNEL 506/806/706 (inc. item 5)
15	385340177	HOSE, SUPPLY - BONE
	385345377	HOSE, SUPPLY - WHITE
16	385316906	VACUUM BREAKER, KIT



Dometic Corporation - Sanitation Systems
13128 State Rt. 226, P.O. Box 38
Big Prairie, OH 44611-0038 USA
Telephone: 330-496-3211
Fax: 330-496-3097
Email: sealand@dometicusa.com

PARTS LIST: 808,847, 848



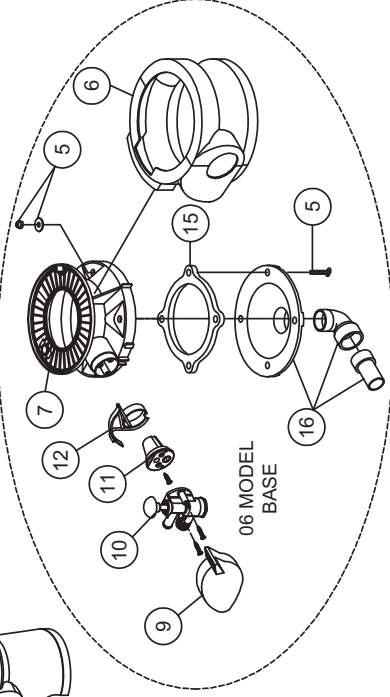
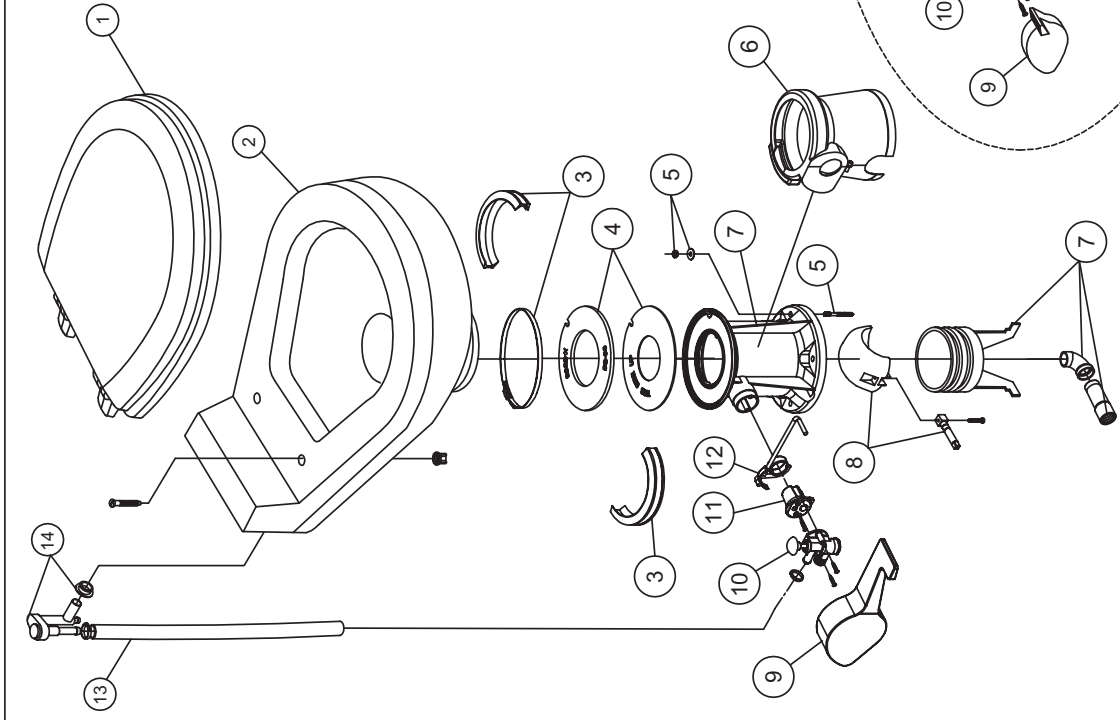
ITEM	PART NO.	DESCRIPTION
1	385344436	SEAT ASSEMBLY, WHITE
	385344437	SEAT ASSEMBLY, BONE
2	385310032	CHINA BOWL KIT, WHITE
	385310033	CHINA BOWL KIT, BONE
3	385310048	BAND & HALF CLAMP KIT - BONE
	385310025	BAND & HALF CLAMP KIT - WHITE
4	385311462	KIT, BASE SEAL/2 SEALS
5	385316323	MOUNTING HARDWARE
6	385310111	PEDESTAL COVER KIT - WHITE '08 MODEL
	385310112	PEDESTAL COVER KIT - BONE '08 MODEL
	385310674	PEDESTAL COVER KIT - WHITE '47 MODEL
	385310613	PEDESTAL COVER KIT - BONE '47 MODEL
	385310136	PEDESTAL COVER KIT - WHITE '48 MODEL
7	385310137	PEDESTAL COVER KIT - BONE '48 MODEL
	385310126	BASE KIT- WHITE (inc items 3-12) '08 MODEL
	385310127	BASE KIT- BONE (inc items 3-12) '08 MODEL
	385310665	BASE KIT- WHITE (inc items 3-12) '47 MODEL
	385310614	BASE KIT- BONE (inc items 3-12) '47 MODEL
7	385310129	BASE KIT- WHITE (inc items 3-12) '48 MODEL
	385310130	BASE KIT- BONE (inc items 3-12) '48 MODEL
	385310129	BASE KIT- WHITE (inc items 3-12) '48 MODEL
8	385318162	KIT,BALL,SHAFT & CART- WHITE(inc. item 11)
9	385310114	PEDAL COVER - WHITE
	385310115	PEDAL COVER - BONE
10	385314349	WATER VALVE - KIT
11	385236096	SPRING CARTRIDGE - KIT
12	385310578	PEDAL, CARTRIDGE, KIT (inc. item 11)
13	385340177	HOSE, SUPPLY - BONE
	385345377	HOSE, SUPPLY - WHITE
14	385316906	VACUUM BREAKER, KIT
N/S	385318741	KIT, FUNNEL '08

TOILET MODEL	DISCHARGE LOCATION
808	THROUGH THE FLOOR
847	OPPOSITE PEDAL
848	REAR OF TOILET



Dometic Corporation - Sanitation Systems
13128 State Rt. 226, P.O. Box 38
Big Prairie, OH 44611-0038 USA
Telephone: 330-496-3211
Fax: 330-496-3097
Email: sealand@dometicusa.com

PARTS LIST: VACUFLUSH MODELS 1006 - 1008 - 1047 - 1048 - 1049



ITEM	PART NUMBER		DESCRIPTION
	1008	1047 1048 1049	
1	385344436		SEAT ASSEMBLY, WHITE
	385344437		SEAT ASSEMBLY, BONE
2	385310615		CHINA BOWL KIT, WHITE
	385310616		CHINA BOWL KIT, BONE
3	385310025		BAND AND HALF CLAMP, KIT WHITE
	385310048		BAND AND HALF CLAMP, KIT BONE
4	385311462		SEAL REPLACEMENT - KIT
5	385310064		MOUNTING HARDWARE
	385310111	385310674	PEDESTAL COVER KIT, WHITE
	385310109	385310613	PEDESTAL COVER KIT, BONE
6	385310600	385310746	PEDESTAL COVER KIT, EBONY
	385310132	385310665	BASE KIT, WHITE (inc items 3-12)
	385310133	385310614	BASE KIT, BONE (inc items 3-12)
7	385310607	N/A	BASE KIT, EBONY (inc items 3-12)
8	385318162		KIT, BALL SHAFT & CART, WHITE (inc. item 11)
	385310177		KIT, BALL SHAFT & CART, EBONY (inc. item 11)
9	385310117	385310114	PEDAL COVER, WHITE
	385310118	385310115	PEDAL COVER, BONE
	385310593	385310175	PEDAL COVER, EBONY
10		385314349	KIT, WATER VALVE
11		385236096	KIT, SPRING CARTRIDGE
12	385310579	385310578	KIT, LEVER/CART- BASE
	385340177		HOSE, SUPPLY - BONE.
13		385345377	HOSE, SUPPLY - WHITE
14		385316906	VACUUM BREAKER, KIT
15	385310063		KIT, FLOOR FLANGE SEAL
16	385318864		KIT, FUNNEL 506/806/706
N/S	385318741		KIT, FUNNEL '08

TOILET MODEL	DISCHARGE LOCATION
1008	THROUGH THE FLOOR
1047	OPPOSITE PEDAL
1048	REAR OF TOILET
1049	UNDER PEDAL
1006	THROUGH THE FLOOR

Dometic
 Dometic Corporation - Sanitation Systems
 13128 State Rt. 226, P.O. Box 38
 Big Prairie, OH 44611-0038 USA
 Telephone: 330-496-3211
 Fax: 330-496-3097
 Email: sealand@dometicus.com