

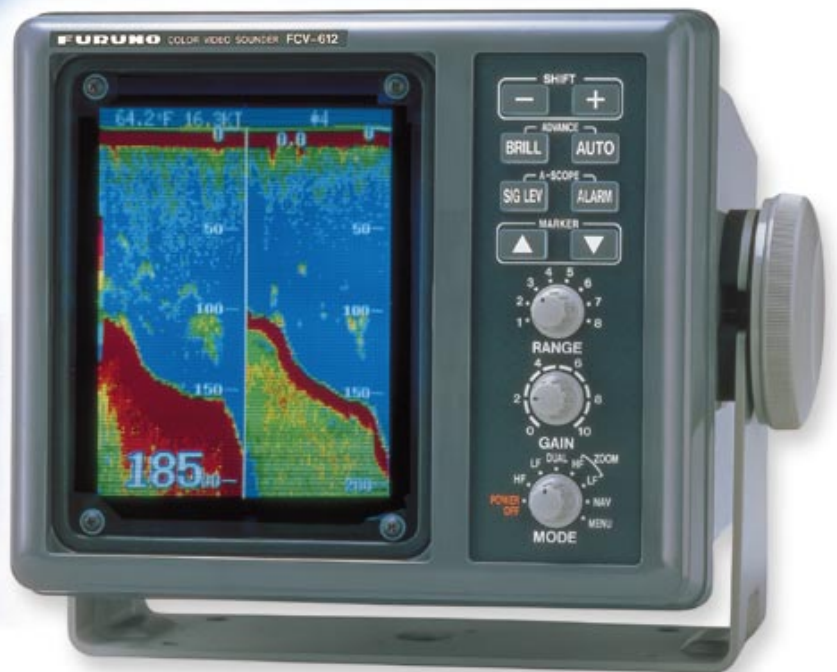
FURUNO®

Dual-frequency, 6-inch display

COLOR VIDEO SOUNDER

Model **FCV-612**

- Dual-frequency: 50 and 200 kHz
- 6-inch display with 8-color or multi-level amber presentation
- Auto Mode for hands-off operation
- NAV data display (nav input required)
- GPS position in NMEA 0183 format
- Compound speed and temperature sensor option



The future today with FURUNO's electronics technology

FURUNO ELECTRIC CO., LTD.

9-52 Ashihara-cho, Nishinomiya City, Japan Telephone: +81 (0)798 65 2111
Telefax: +81 (0)798 65 4200, 66-4622, 66-4623

Catalogue No. E-370b

TRADE MARK REGISTERED
MARCA REGISTRADA

The FURUNO FCV-612 is a new compact color video sounder with dual-frequency transmitters using a single transducer. Dual-frequency means the user can take advantage of the better resolution of the high frequency and the deeper range penetration of the low frequency. Fish and bottom echoes are displayed in eight colors or monochrome amber in eight levels. One of the 8 colors can be displayed in white to emphasize the specific echo level.

There are eight display modes to choose from: Low Frequency (50 kHz), High Frequency (200 kHz), Dual-Frequency, LF Zoom and HF Zoom. A-scope presentation is also available on any mode so that objects just under the ship are evaluated in echo

strength differentials at a glance. There are three types of Zoom function: Marker Zoom, Bottom Zoom and Bottom-lock Expansion.

In Marker Zoom, any depth zone of interest can be enlarged for close observation. In Bottom Zoom, the marker follows the bottom contour to give a close-up view above the bottom even varying in depth. In Bottom-lock Expansion, the bottom is displayed as a straight line to make fish echoes near the bottom stand out.

The FCV-612 has an Auto Mode. This allows "hands-off" operation, by automatically switching depth range and adjusting sensitivity depending on the depth of water.

SPECIFICATIONS OF FCV-612

- 1. Display**
8 colors, 232 x 240 dots on a 6-inch CRT
- 2. Display Modes**
LF, HF, Dual, Marker Zoom, Bottom-Lock, Bottom Zoom, Nav and A-scope
- 3. Frequency**
Dual-frequency 50 and 200 kHz transmitted alternately
- 4. Basic Range**
M: 5, 10, 20, 40, 80, 150, 200, 300
FT: 15, 30, 60, 120, 200, 400, 600, 1000
FA: 2.5, 5, 10, 20, 40, 80, 100, 150
Range Phasing Up to 600 m (2,000 feet, 300 fathoms)
- 5. Zoom** Zoom scale selectable from x2, x3, x4 or x5
- 6. Picture Advance**
Freeze, 1/8, 1/4, 1/2, 1/1, 2/1 scan lines/tx
- 7. Pulselength and Pulse Repetition Rates**

Range (m)	5-20	40	80	150	200	300
Pulselength (ms)	0.2	0.4	0.8	1.5	2.0	3.0
PRR (Pulses/min)	600	375	187	100	75	50
- 8. Interface (NMEA 0183)** Any talker
Input: RMA, RMB, RMC, GLL, VTG, VHW, MTW, XTE, BWC
Output: Water depth (SDBBT), Speed* (VHW), Water temperature* (YCMTW) * Optional sensor required

- 9. Alarm**
Bottom, Fish, Water temperature alarm (If sensor fitted)
- 10. Output Power** 150 W rms.
- 11. Transducer** Beamwidth: 46° (50 kHz), 10° (200 kHz)

POWER SUPPLY

12 to 24 VDC, less than 30 W
115/230 VAC with optional rectifier PR-62

ENVIRONMENT (IEC 60945 testing method)

Display unit: -15°C to +55°C

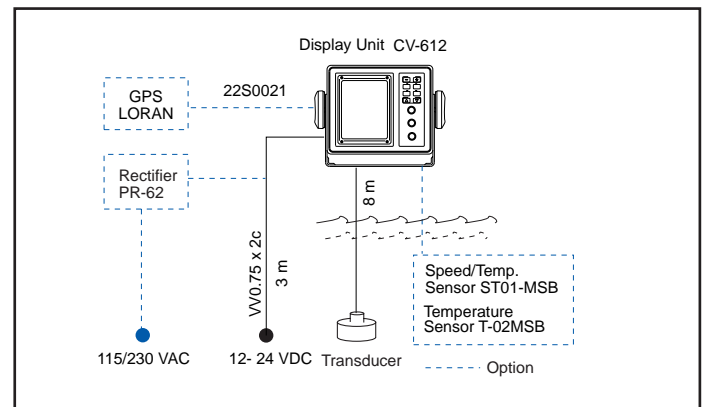
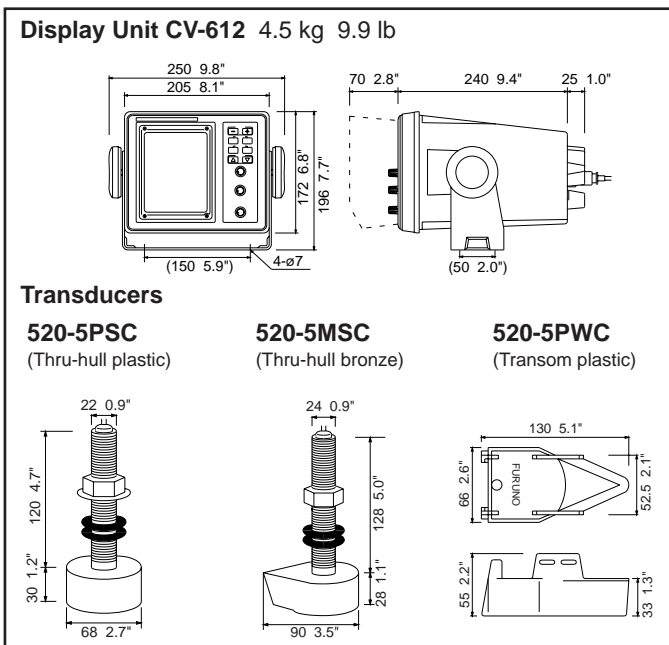
EQUIPMENT LIST

Standard

1. Display Unit CV-612
2. Transducer with 8 m cable
(Specify the frequency and type of transducer)
520 5PSC (Thru-hull plastic) 520-5MSC (Thru-hull bronze),
520-5PWC (Transom plastic)
Transducers with speed/temperature sensor
520ST-MSA (Thru-hull bronze), 520ST-PWA (Transom plastic)
3. Installation materials and standard spare parts

Optional

1. Speed & temperature sensors (two-in-one)
ST-01MSB (Thru-hull bronze), ST-01PSB (Thru-hull plastic),
ST-01PTB (Transom plastic)
2. Temperature sensors
T-02MTB (Thru-hull bronze), T-03MSB (Thru-hull bronze),
T-02MSB (Thru-hull stainless)
3. Rectifier PR-62 for 115/230 VAC mains
4. NMEA cable 22S0021
5. Flush mount kit OP02-72 for display unit



SPECIFICATIONS SUBJECT TO CHANGE WITHOUT NOTICE

FURUNO U.S.A., INC.
Camas, Washington, U.S.A.
Phone: +1 360-834-9300 Telefax: +1 360-834-9400

FURUNO (UK) LIMITED
Denmead, Hampshire, U.K.
Phone: +44 2392-230303 Telefax: +44 2392-230101

FURUNO FRANCE S.A.
Bordeaux-Mérignac, France
Phone: +33 5 56 13 48 00 Telefax: +33 5 56 13 48 01

FURUNO ESPAÑA S.A.
Madrid, Spain
Phone: +34 91-725-90-88 Telefax: +34 91-725-98-97

FURUNO DANMARK AS
Hvidovre, Denmark
Phone: +45 36 77 45 00 Telefax: +45 36 77 45 01

FURUNO NORGE A/S
Ålesund, Norway
Phone: +47 70 102950 Telefax: +47 70 127021

FURUNO SVERIGE AB
Västra Frölunda, Sweden
Phone: +46 31-7098940 Telefax: +46 31-497093

FURUNO SUOMI OY
Helsinki, Finland
Phone: +358 9 341 7570 Telefax: +358 9 3417 5716

99125N Printed in Japan

