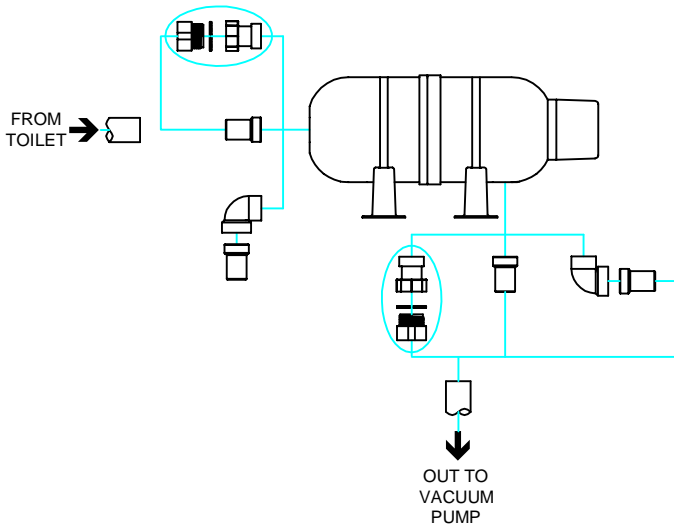


# INSTALLATION AND ASSEMBLY INSTRUCTIONS.

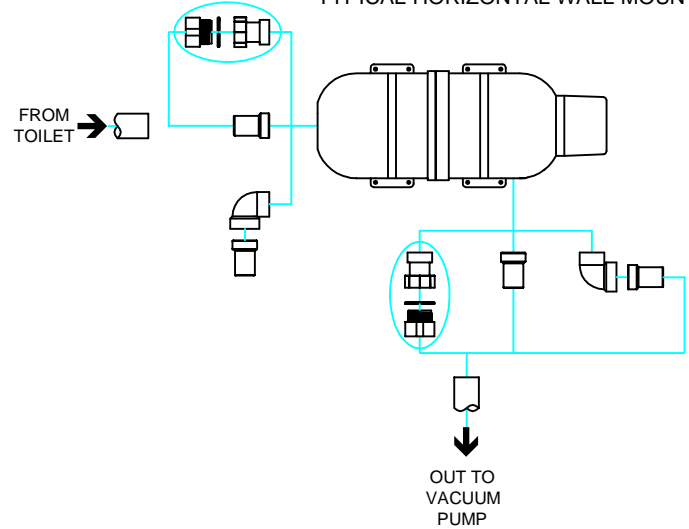
## IMPORTANT:

THE OUTLET PORT ON THE VACUUM TANK  
MUST BE AT THE BOTTOM. (LOWEST POINT)

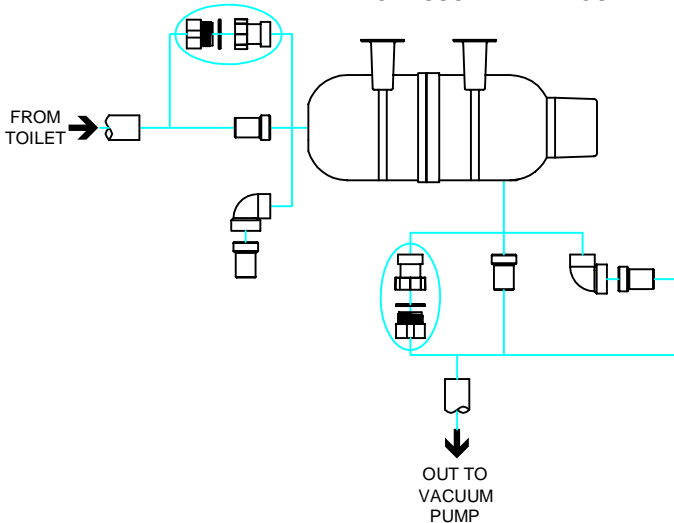
TYPICAL FLOOR/DECK MOUNT



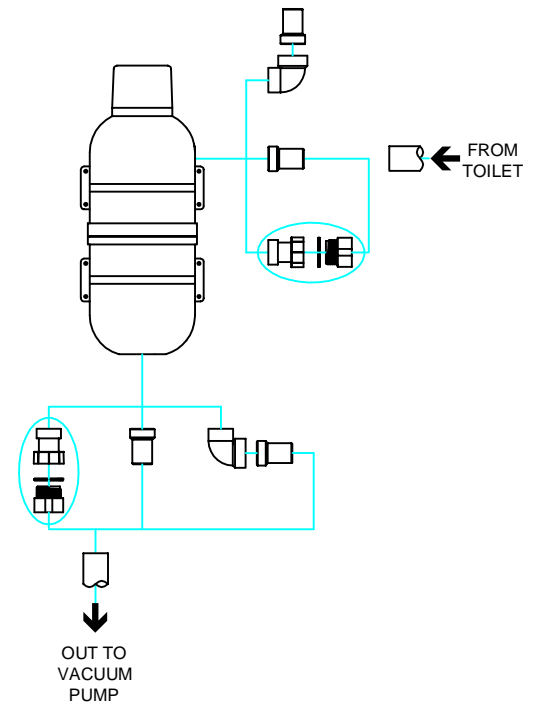
TYPICAL HORIZONTAL WALL MOUNT



TYPICAL SUSPENDED MOUNT



TYPICAL VERTICAL WALL MOUNT



## BEFORE INSTALLING VACUUM TANK

1. Select location that allows removal of vacuum switch for access inside tank when needed.
2. Outlet of tank must be at bottom in both vertical and horizontal installations.
3. Vacuum tank must be installed between VacuFlush toilet and vacuum pump.
4. Do not install vacuum tank more than 6 ft./1.8 m above toilet outlet.
5. Refer to vacuum system wiring diagram provided on the parts list for the vacuum toilet, vacuum pump, or vacuum status panel for wiring information.

- USE PVC PRIMER ON ALL SOLVENT WELD JOINTS PRIOR TO SOLVENT WELDING.
- USE PVC CEMENT WITH TETRAHYDROFURAN FOR SOLVENT WELD JOINTS.
- FOLLOW INSTRUCTIONS ON PVC PRIMER AND PVC CEMENT FOR MAXIMUM ADHESION AND SAFETY.

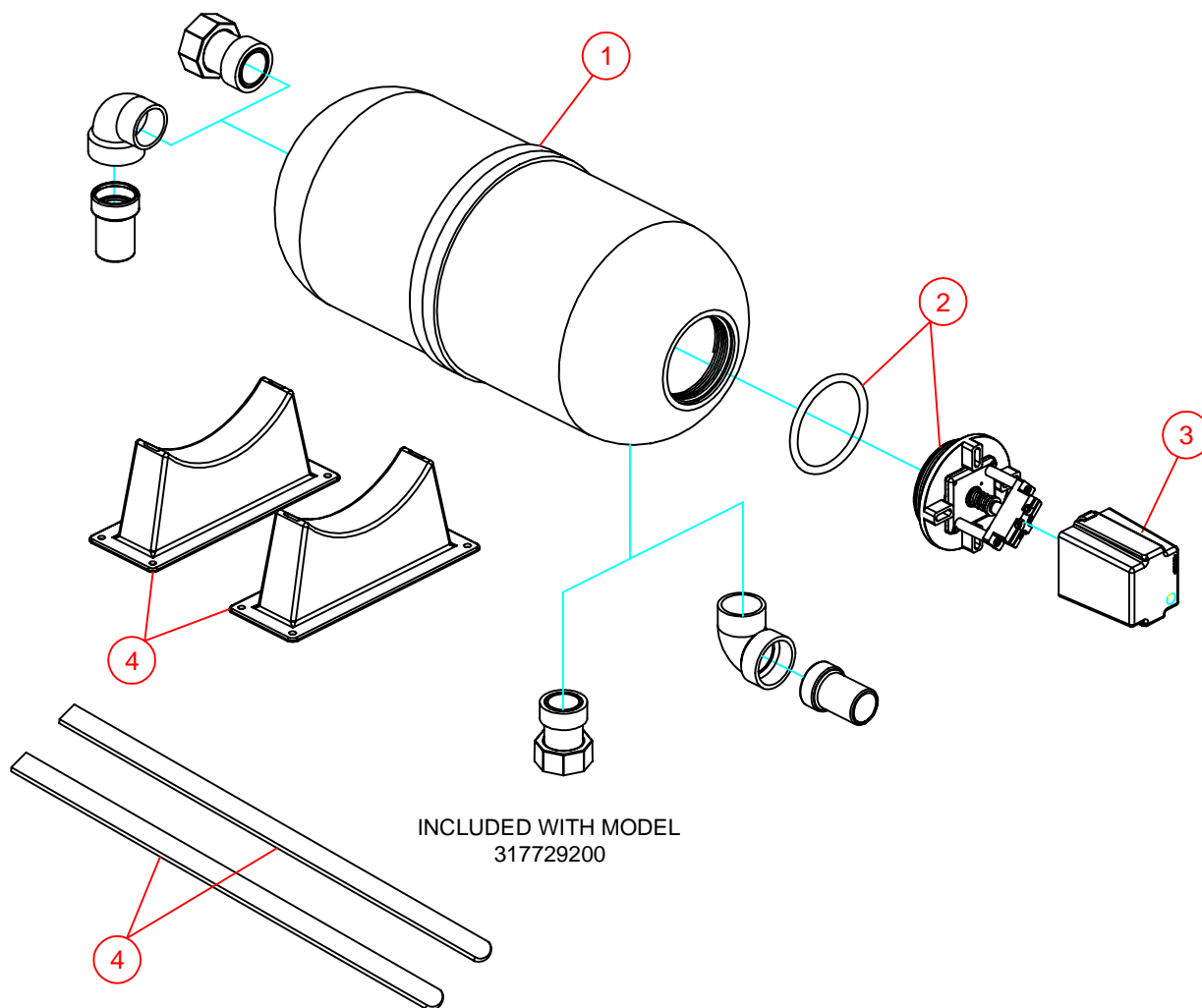
**Sealand**<sup>®</sup>  
by Dometic GROUP

Dometic Corporation - Sanitation Systems  
13128 State Rt. 226, P.O. Box 38  
Big Prairie, OH 44611-0038 USA  
Telephone: 330-496-3211  
Fax: 330-496-3097  
Email: sealand@dometicusa.com

## PARTS LIST: MODEL 317729100 & 317729200

ITEM	PART NO.	DESCRIPTION
1	385310017	KIT, VACUUM TANK-REPLACEMENT
2	385318032	KIT, VACUUM TANK SWITCH
3	385311215	KIT, SNAP-ON VAC SW/CH CVR-WHT
4	385311659	KIT, VAC TK MTG BRKT (1 EACH)

INCLUDED WITH MODEL  
317729200



INCLUDED WITH MODEL  
317729200

**Sealand**<sup>®</sup>  
by Dometic GROUP

Dometic Corporation - Sanitation Systems  
13128 State Rt. 226, P.O. Box 38  
Big Prairie, OH 44611-0038 USA  
Telephone: 330-496-3211  
Fax: 330-496-3097  
Email: sealand@dometicusa.com