

# VACUFLUSH® 4809 TOILET INSTALLATION GUIDE

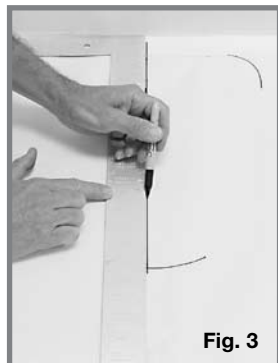
## Toilet Requirements:

- 2 GPM (7.6 lpm) or larger water pump.
- 1/2-inch (12.7 mm) water line terminating in a 1/2-inch female NPT fitting (to connect to toilet water supply hose).
- 12 VDC or 24 VDC through a fuse or circuit breaker of sufficient size to protect wiring. Circuit board fuse resets by turning power off and on. Refer to installation codes for proper wire sizes.

STEP 1: Carefully unpack toilet and place it in the position intended. Center the toilet in the selected position and assure that adequate clearance is available for opening the seat and lid. Check the front and sides of the toilet to insure that it will set flat against the floor. Determine the best location for the flush switch panel. It is recommended that it be near the toilet but not hidden by the toilet lid in the “up” position. Avoid a location susceptible to direct water spray.

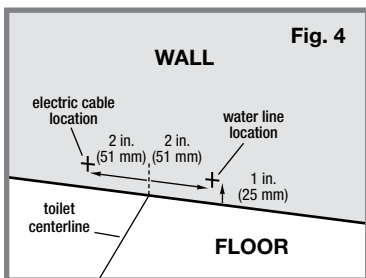
STEP 2: Mark the floor at the rear corners and the front center of the ceramic bowl. Remove the ceramic bowl and set aside (figs. 1, 2).

STEP 3: Measure the distance between the rear corner marks on the floor and divide by 2 to find the centerline. Using a carpenter’s square, draw a centerline on the floor that intersects the mark for the front center of the bowl (fig. 3).



STEP 4: Choose an inlet configuration for the electrical wiring and water line hole location: (a) through the rear wall, or (b) through the floor.

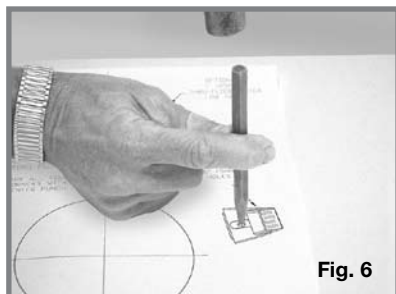
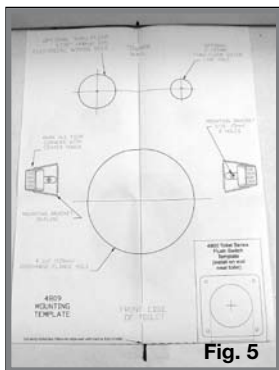
STEP 5: For electrical cables/wiring and water line installations **through the rear wall**, measure up a minimum of 1 inch (25 mm) and 2 inches (51 mm) to the right of the centerline (fig. 4) for the electrical cables, and 2 inches (51 mm) to the right of the centerline for the water line. Mark the hole locations.



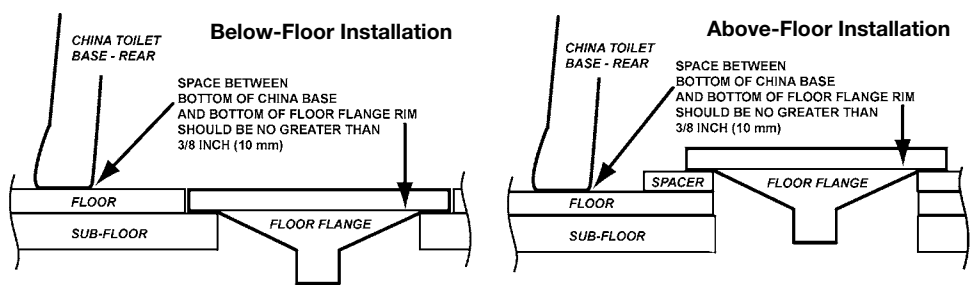
**These locations are for the water and electrical supply line holes in through-the-wall installations.**

STEP 6: Align the 4809 toilet mounting template along the centerline mark with the front edge of the template flush with the mark for the front edge of the toilet bowl (fig. 5). Tape the template to the floor.

STEP 7: Using a center punch, mark the center locations for the discharge flange hole, mounting bracket holes (fig. 6), the four corners of each mounting bracket, and the center of the water line and electrical wiring holes (if routing these through the floor). Remove the template from the floor.



**IMPORTANT:** The preferred floor flange installation method is to mount the flange directly on the finished floor. However, if the bottom of floor flange and bottom of ceramic toilet must be mounted at different heights, the floor flange must be mounted within 3/8-inch (10 mm) of the bottom of the toilet (see illustrations below) or leakage will result.



STEP 8: Cut out the 4-3/4-inch (120 mm) diameter discharge flange hole. Drill the two 3/16-inch (5 mm) holes mounting bracket fastener holes. Where required (floor or wall), drill the 1-inch (25 mm) diameter water line hole and 1 3/4-inch (44 mm) electrical wiring hole.

STEP 9: **VERTICAL DISCHARGE HOSE** – Using PVC primer and solvent cement, attach the hose adapter directly into the discharge flange outlet. Allow to cure before handling. **HORIZONTAL DISCHARGE HOSE** – Using PVC primer and solvent cement, attach the elbow directly to the discharge flange outlet. Then attach the hose adapter into the elbow (fig. 7). Allow to cure before handling.

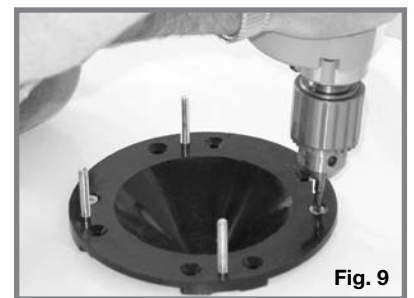
STEP 10: Insert the discharge flange into the hole with the elbow pointing in the direction of the discharge plumbing. Mark the floor through the eight countersunk mounting holes. Remove the flange and drill the eight pilot holes with an 11/64-inch (4 mm) drill bit.



STEP 11: Route the vacuum hose from the vacuum generator or vacuum tank up through the discharge flange hole. Lubricate the inside of the hose with liquid dishwashing soap and install the hose onto the adapter. Secure the connection with two stainless steel hose clamps (fig. 8).

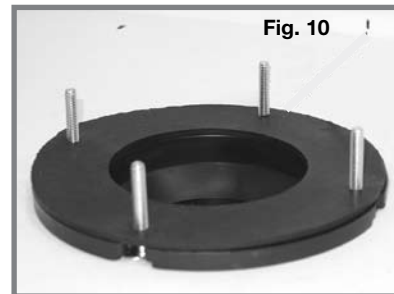
STEP 12: Insert four T-bolts into the discharge flange from the underside.

STEP 13: Insert the discharge flange and connected hose or pipe into the discharge hole and secure to the floor with the eight #12x1-1/2-inch flat head screws provided (fig. 9).



STEP 14: Install the flange gasket over the T-bolts (fig. 10).

STEP 15: Install floor flange adapter with words “THIS SIDE UP” facing up. Tighten adapter to floor flange using four flat washers and hex nuts. Tighten in criss-cross pattern (fig. 11).



STEP 16: Route 1/2-inch (13 mm) diameter water line from the fresh water source through the 1-inch (25 mm) hole in the wall or floor and attach a 1/2-inch female NPT fitting (fig. 12).

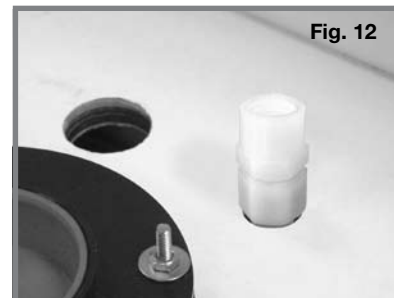
**Note:** A shut-off valve should be placed in the water line to the toilet for maintenance or repair.

STEP 17: Several flush switch options can be ordered from Dometic. Instructions for installing the basic Dometic flush switch are on the next page.

Two other available types fit either VIMAR or GEWISS panels and housings. The VIMAR and GEWISS panels use one switch for both “Flush” and “Add Water” functions. Instructions are included with each flush switch assembly.

Install flush switch in desired location and route electrical cables/wiring through the 1 3/4-inch (44 mm) hole to the toilet. Leave 12 inches (305 mm) of cable to connect to the toilet (fig. 13). (The cable supplied with the basic Dometic flush switch will have a Deutsch connector.)

STEP 18: **WITH POWER OFF**, route electrical cables/wiring from vacuum generator and power source through 1 3/4-inch (44 mm) hole (fig. 13). Leave at least 12 inches (305 mm) of wire above the floor or through the wall to connect to toilet. (See wiring diagrams on next page. If Deutsch connectors (shown) are not being used, refer to wiring diagram to make proper connections in Step 20).



STEP 19: Secure the toilet mounting brackets to the floor using the #14 x 2 1/2-inch (65 mm) hex washer head screws and support plates provided. Be sure to mount the brackets as shown on the template (fig. 14).

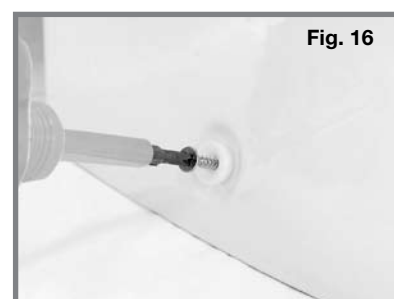
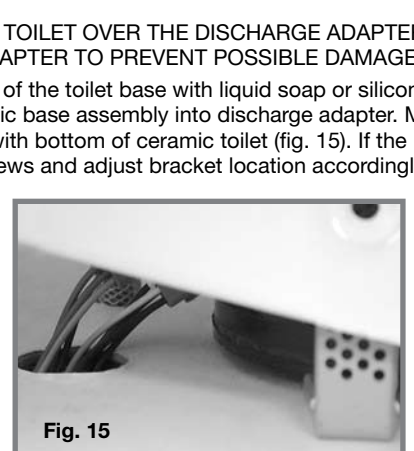
STEP 20: Set the toilet in front of the discharge adapter. Connect the flexible water hose to the 1/2-inch female NPT fitting on the inlet water line. Connect the cable/wiring from flush switch to the toilet’s flush switch-status panel cable/wiring. Connect the cable/wiring from vacuum generator and power source to the toilet’s vacuum generator-power source cables/wiring.

**IMPORTANT – DO NOT ATTEMPT TO SLIDE THE TOILET OVER THE DISCHARGE ADAPTER. THE TOILET MUST BE SET DOWN INTO THE ADAPTER TO PREVENT POSSIBLE DAMAGE.**

STEP 21: Lubricate the O-ring around the bottom of the toilet base with liquid soap or silicone spray or grease. Pick up the toilet and insert plastic base assembly into discharge adapter. Make sure mounting brackets on floor do not interfere with bottom of ceramic toilet (fig. 15). If the mounting brackets interfere, loosen mounting screws and adjust bracket location accordingly.

STEP 22: Insert the two plastic flange bushings into the toilet mounting holes and secure the toilet to the mounting brackets with the two flat head wood screws provided (fig. 16). Be sure to drive fasteners into mounting brackets at a downward angle.

STEP 23: Press the decorative screw covers over the flange bushings (fig. 17).



SEE NEXT PAGE FOR DOMETIC WALL-MOUNTED FLUSH SWITCH INSTALLATION AND TOILET SYSTEM WIRING DIAGRAM.

# VACUFLUSH® 4800 TOILET SERIES FLUSH SWITCH INSTALLATION

VacuFlush 4800 series toilets feature a wall-mounted flush switch to control the “Flush” and “Add Water” functions. Follow the instructions below for standard Dometic flush switch installation.

**STEP 1:** Select a location for the flush switch. Eight feet of cable (2.4 m) is provided to reach the toilet base. You may need to supply more wire, depending on how far you locate the flush switch from the toilet.

**STEP 2:** Use the template to mark the center of the 1.75-inch (45 mm) hole.

**STEP 3:** Drill the 1.75-inch (45 mm) hole.

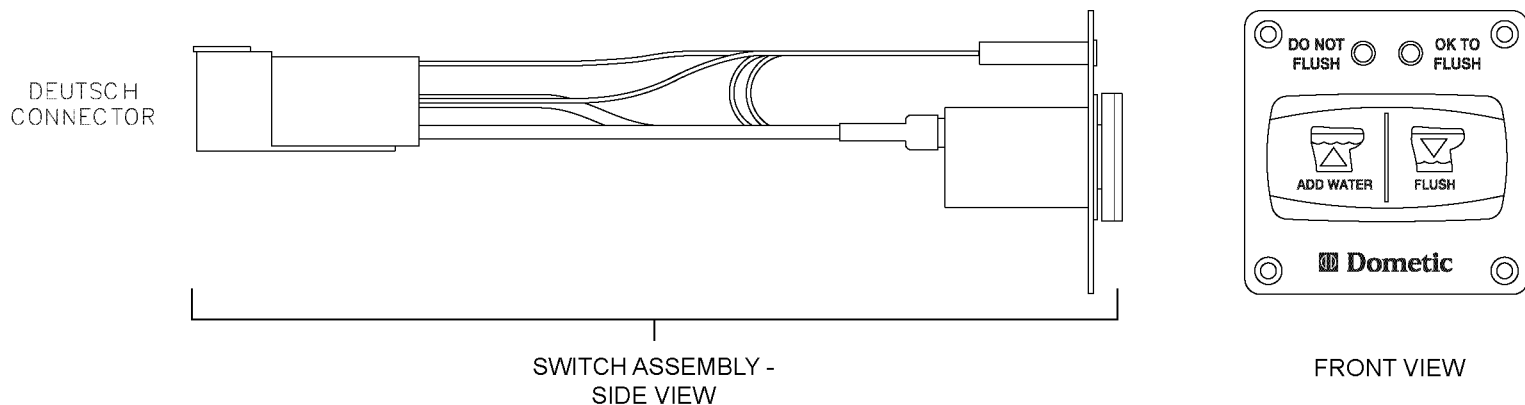
**STEP 4:** Insert switch assembly through the hole. Make sure the switch panel is level, then mark the four mounting holes.

**STEP 5:** Remove the switch assembly from the large hole, then drill the four mounting holes with a 3/32-inch or 7/64-inch diameter drill bit.

**STEP 6:** Assemble the switch assembly to the wiring harness that connects to the toilet. Insert switch assembly through hole and secure to wall using the four fasteners provided.

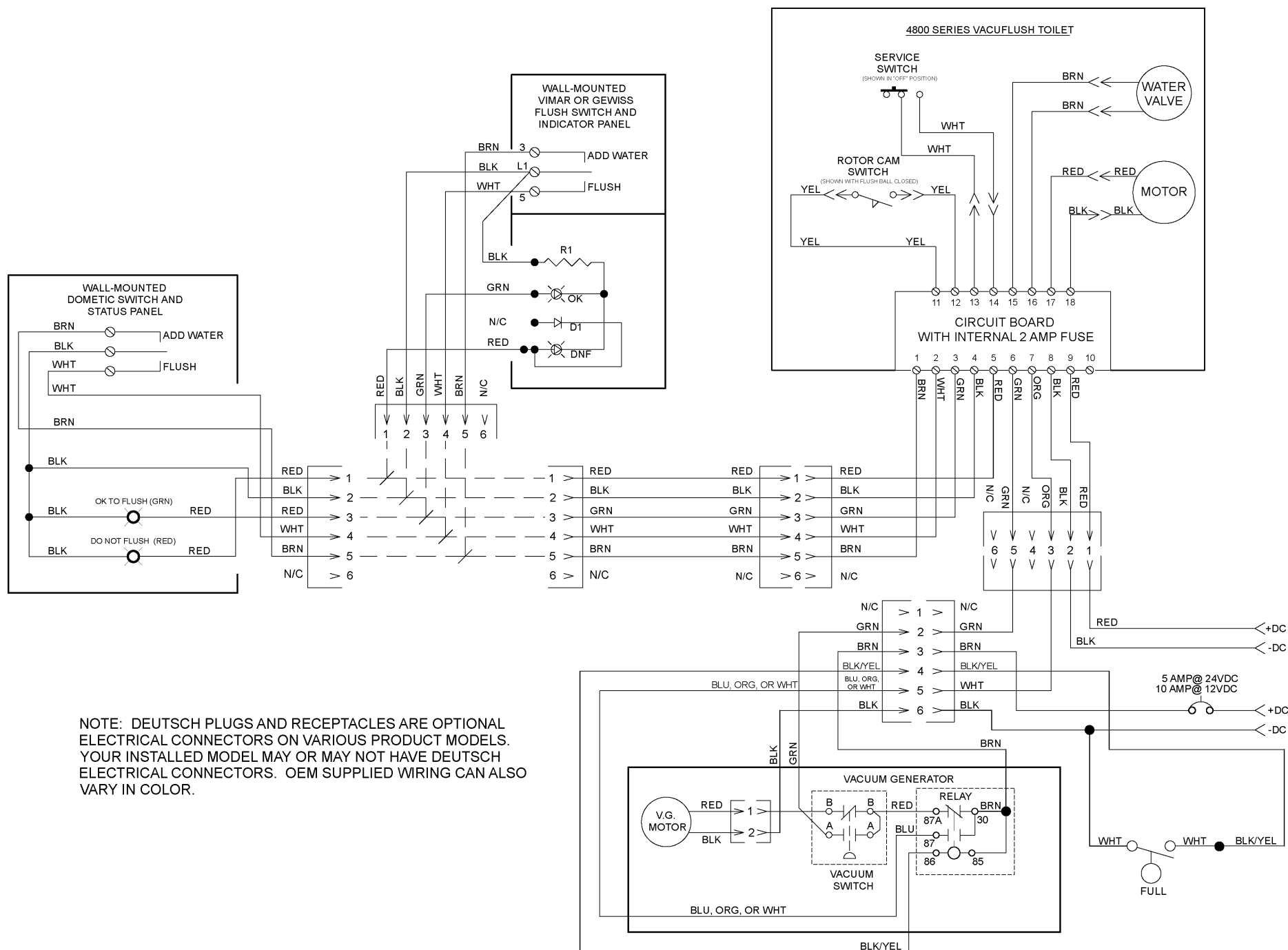
**STEP 7:** WITH THE ELECTRICAL POWER OFF, connect the wiring harness from the flush switch to the five-conductor cable at the toilet.

## DOMETIC FLUSH SWITCH DIAGRAM



To install other popular marine wall switches (Vimar, Gewiss), follow the instructions supplied by the switch manufacturer and the wiring diagram below.

## VACUFLUSH® 4800 TOILET SERIES SYSTEM WIRING DIAGRAM



NOTE: DEUTSCH PLUGS AND RECEPTACLES ARE OPTIONAL ELECTRICAL CONNECTORS ON VARIOUS PRODUCT MODELS. YOUR INSTALLED MODEL MAY OR MAY NOT HAVE DEUTSCH ELECTRICAL CONNECTORS. OEM SUPPLIED WIRING CAN ALSO VARY IN COLOR.



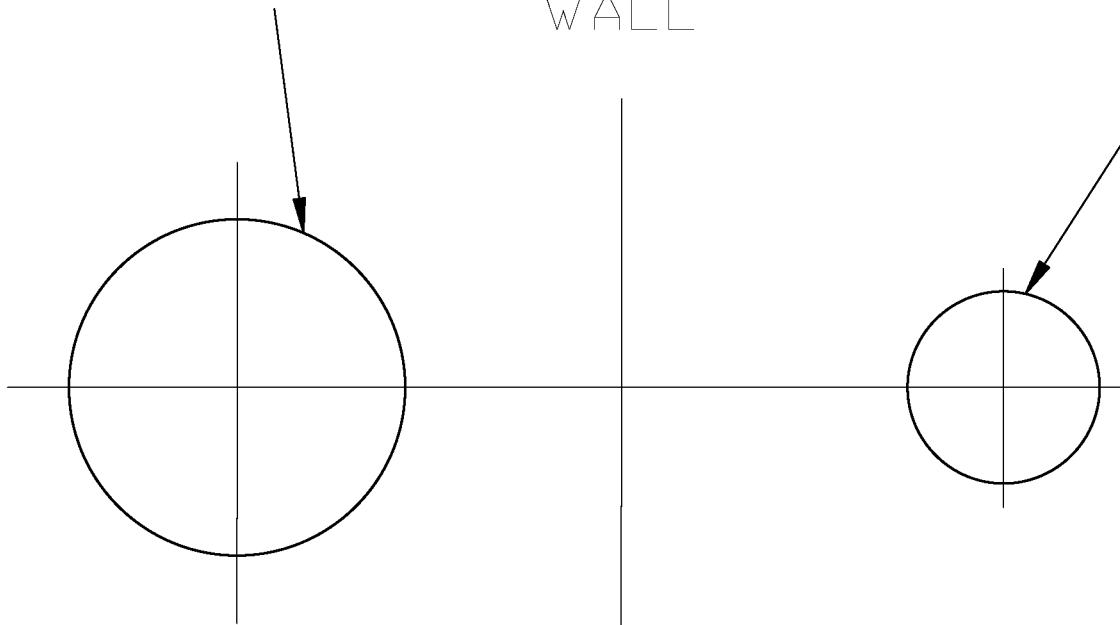
Dometic Corporation, Sanitation Division  
13128 State Rt. 226  
Big Prairie, OH 44611-0038 USA  
1-800-321-9886

BACK OF 4809 FLOOR MOUNTING TEMPLATE

OPTIONAL THRU-FLOOR  
1.750" (44mm) DIA.  
ELECTRICAL WIRING HOLE

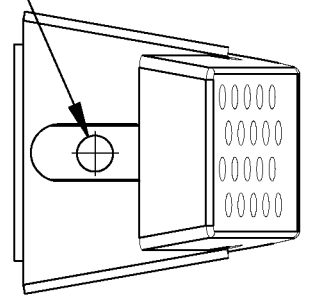
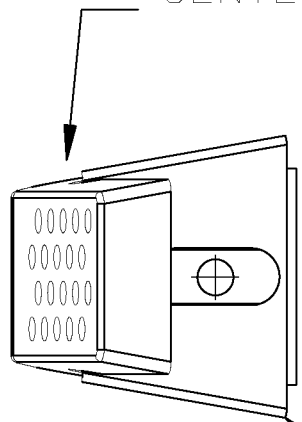
TOWARD  
WALL

OPTIONAL  
1" (25MM)  
THRU-FLOOR WATER  
LINE HOLE



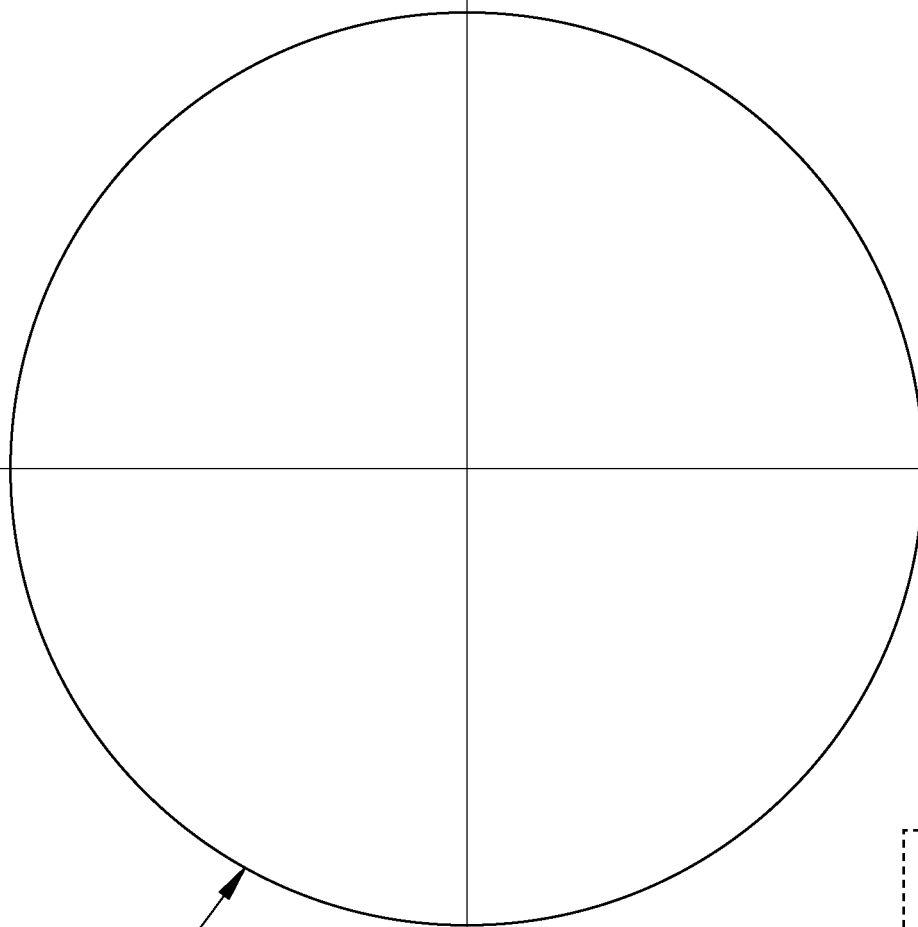
MARK ALL FOUR  
CORNERS WITH  
CENTER PUNCH

MOUNTING BRACKET  
3/16" (5mm)  
2 HOLES



MOUNTING BRACKET  
OUTLINE

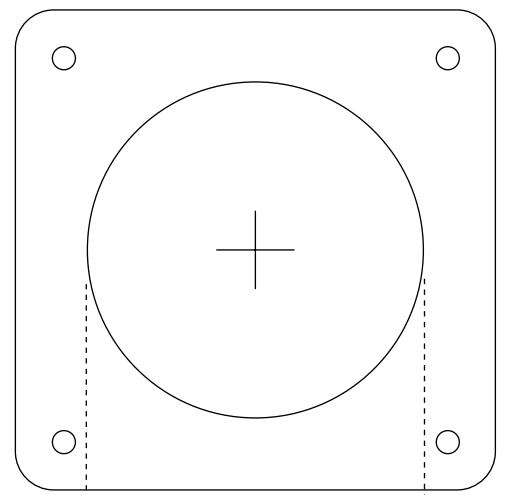
4 3/4" (120mm)  
DISCHARGE FLANGE HOLE



4809  
MOUNTING  
TEMPLATE

FRONT EDGE  
OF TOILET

4800 Toilet Series  
Dometic Flush Switch  
Template  
(install on wall  
near toilet)



*Cut along dotted line. Place this edge even with mark at front of toilet.*

1-3/4 in. (44mm) dia.